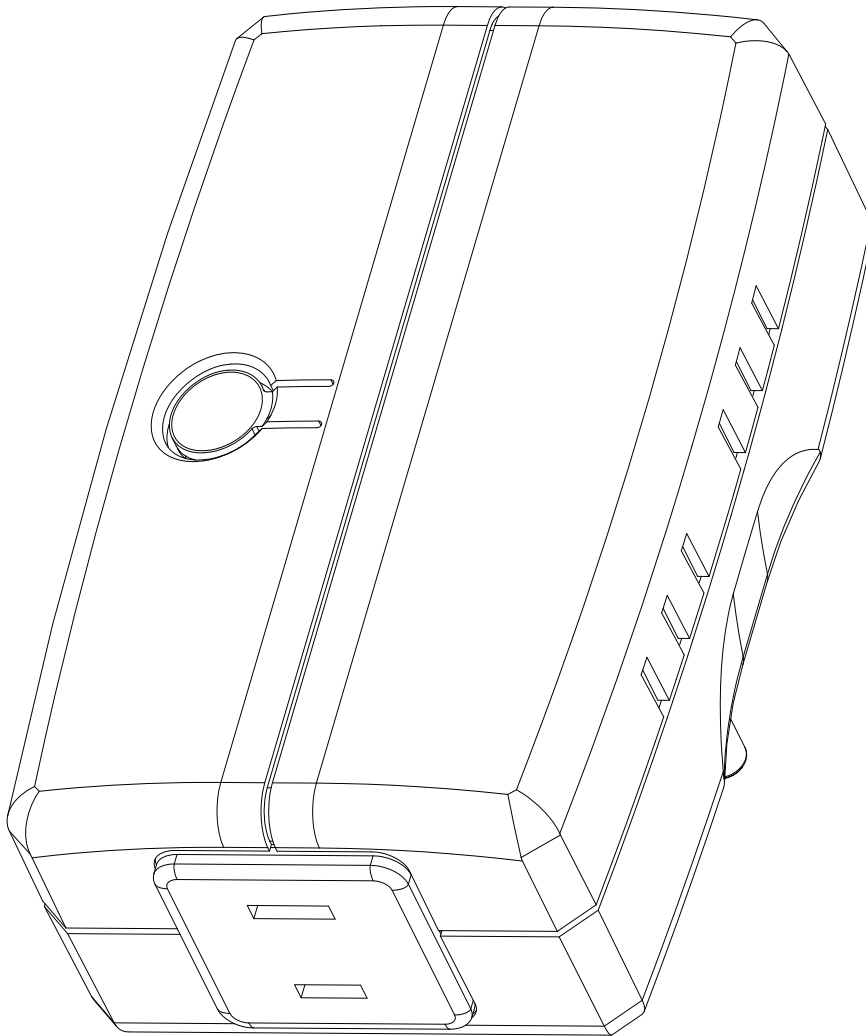




ZWN-323M

Enerwave ZWN-323M Z-WAVE Wireless Plug-in Smart Meter Dimmer Module



Features

- One Z-wave controlled and one always-on AC receptacle
- Provides manual and remote control
- Ground 3-wire power connection for safety
- Interoperable with other Z-Wave enabled devices
- Ease of installation(no new wiring)
- Acts as a Z-Wave repeater to extend the range
- Measures energy usage of any connected appliance/device

Description

This ZWN-323M Dimmer Module is a Z-Wave enabled device and fully interoperable with any Z-Wave enabled network. Z-Wave enabled devices displaying the Z-Wave logo can also be used with it regardless of the manufacturer. In a Z-Wave network, each device is designed to act as a wireless repeater. Repeaters will retransmit the RF signal from one device to another until the intended device is reached. This ensures that the signal is received by its intended destination by routing the signal around obstacles and radio dead spots.

Specification

Manufacture	Enerwave
Color	White
Voltage	120VAC, 60Hz
Signal Frequency	908.42 MHz
Range	Up to 100 feet line of sight
Operation Temperature	32°F-104°F (0 °C-40 °C), Indoor Use
Standards and Compliance	Z-Wave Certified FCC UL, CUL Listed
Warranty	2 years