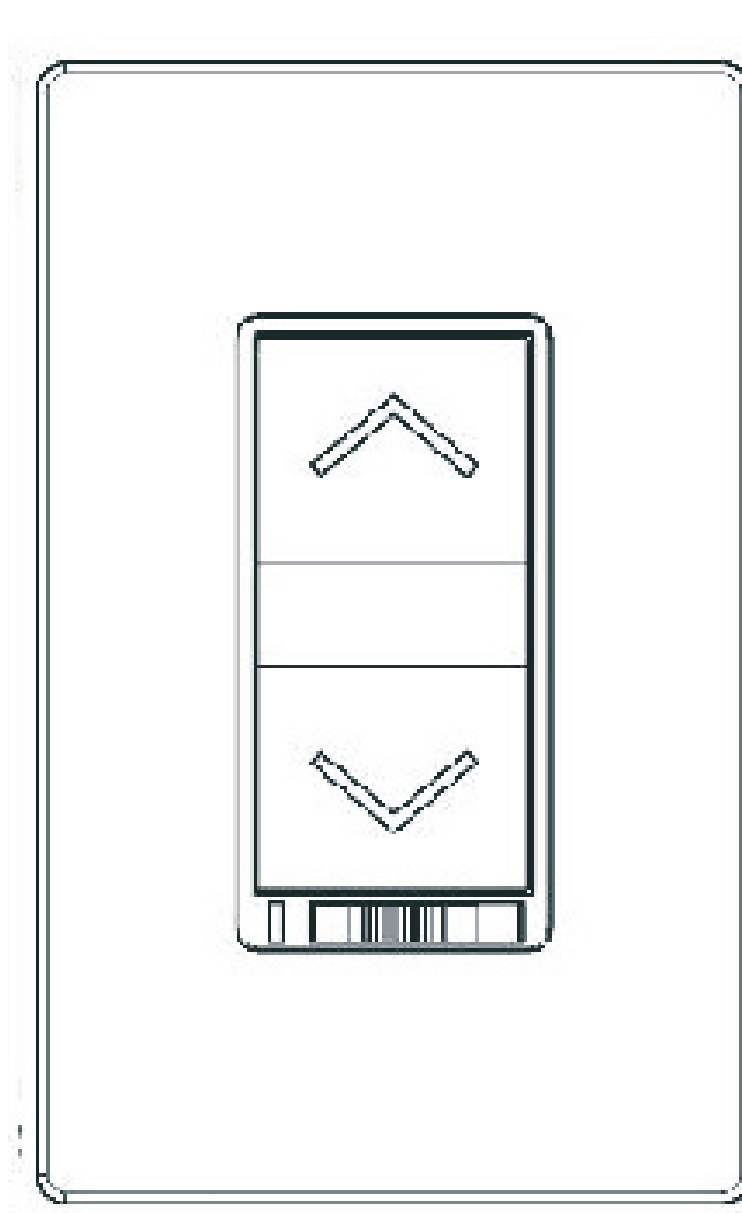




ZW500DM

Enerwave ZW500DM Z-WAVE Wireless In-wall Smart Meter Dimmer Module



Features

- Perfect Replacement for regular wall ON/OFF & Dim switch, 120VAC
- Wireless Z-Wave technology creates a mesh network for command and control interoperability with other Z-Wave compliant controller and devices
- Manual and Remote ON/OFF& Dim control of any permanently installed incandescent, dimmable LED and CFL lamp fixture
- Preset light level option allows the dimmer will turn on to the light level that it was adjusted to the previous time when the light was on
- Can be used for single pole or 3- Way (Multi-location) with ZW3K Auxiliary Switch (sold separately)
- Air-Gap Switch feature meets UL requirement and disconnect power from load locally
- Measures energy usage of the wired load

Description

The ZW500DM Dimmer Switch is a perfect wireless manual and remote on/off/dim brightness control replacement of regular switch, controlling incandescent, dimmable LED and CFL. This ZW500DM dimmer switch is fully compatible with other Z-Wave devices, provides programmable function creating a perfect ambiance such as scenes, association, schedule event, etc. Also it can be added to most Z-Wave compliant controllers. Sliding Air-Gap switch to a totally disconnect power while replacing light bulbs and preventing from leakage current from the fixture(s). This ZW500DM dimmer works with ZW3K 3-Way Auxiliary Switch that reducing energy consumption, enhancing the value of technology of your home, condominiums and apartment.

Specification

Manufacture	Enerwave
Color	White
Voltage	120VAC, 60Hz
Incandescent	500W
Signal Frequency	908.42 MHz
Range	Up to 100 feet line of sight
Operation Temperature	32°F-104°F (0 °C-40 °C), Indoor Use
Standards and Compliance	Z-Wave Certified FCC UL, CUL Listed
Warranty	2 years