

PROGRAMMING

DEVICE INCLUSION/ EXCLUSION

The process of "Inclusion/ Exclusion" is to Add or Remove the device from the Hub. All Z-Wave devices must be "Included" on the Controller (Hub) before it can be controlled from a smart device. The Hub should be brought physically closer to the device just for the "Inclusion" process (**recommended within 10ft**). When finished, the Hub and device can be moved back to final installation location. Download the App or log onto the website associated with the Hub you are using and follow their Inclusion/ Exclusion instructions as each Hub's programming and features are different.

- During the Inclusion/ Exclusion process, the manual ON/OFF button is used for including/ excluding the device.
- It is best to perform an Exclusion of the device prior to performing an Inclusion.

- Step 1.** From the Control Panel, go to the device Exclusion page.
- Select "Exclude Device".
 - When prompted, press and hold the manual ON/OFF Button on the receptacle for 3 seconds.
 - Once the exclusion is finished, the blue LED indicator will start blinking.
- Step 2.** Go to the "Add Device" page.
- Select "Include Device".
 - When prompted, press and hold the manual ON/OFF Button on the receptacle for 3 seconds.

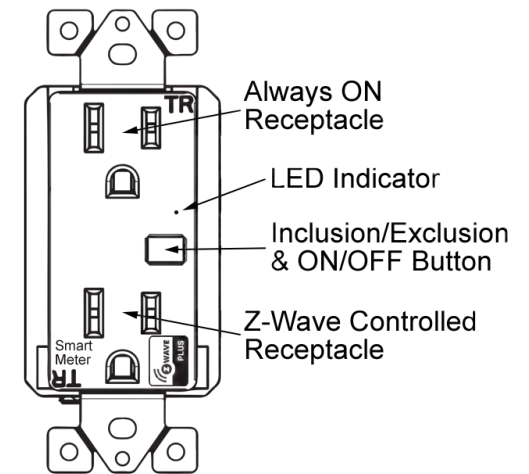
The primary controller should indicate that the action was successful. If the controller indicates the action was unsuccessful, please repeat from Step 1. Once the receptacle is part of the network, the same basic procedure is used to add the switch to groups & scenes or change advanced functions. Refer to the primary controller's instructions for details.

Step 3. Follow the On-Screen instructions in the Control Panel on adding or removing rooms, scenes, other devices, and other functions and features.

Step 4. To reset the ZW15RM-Plus manually, simply press and hold the ON/OFF button for 10 seconds.

OPERATING THE ZW15RM-Plus

You're now ready for basic operation of the ZW15RM-Plus. The manual button turns the controlled receptacle (bottom) ON/OFF when the button is pressed once. It can also be operated from your desktop on the control panel provided on the Hub manufacturer's website or a smart device such as the iPhone, iPad or any Android device once the appropriate App is installed on the device. In the event of a power outage, the ZW15RM-Plus will default to the "OFF" state.



ADVANCED PROGRAMMING

WARNING: Advanced programming is recommended ONLY for experienced programmers. The ZW15RM-Plus has customizable features/functions that require writing codes. Changes to code may cause device to function improperly or to not function at all.

The following parameters require that you have an advanced controller. Basic remotes do not have this capability.

All-ON and All-OFF

Depending upon your primary controller, the ZW15RM-Plus can be set to respond to ALL-ON and ALL-OFF commands in four different ways. Some controllers may not be able to change the response from its default setting. Please refer to your controller's instructions or technical support for information on whether or not it supports the configuration function and if so, how to change this setting. **The four possible responses for the manual ON/OFF button are:**

- Push button will respond to ALL-ON and the ALL-OFF command (default).
- Push button will not respond to ALL-ON or ALL-OFF commands.
- Push button will respond to the ALL-OFF command but will not respond to the ALL-ON command.
- Push button will respond to the ALL-ON command but will not respond to the ALL-OFF command.

LED Light and Buttons Configuration

By default, one press of the manual button will turn the Load on and the LED indicator will turn off. Use "Command_Class_Configuration" to configure the LED indicator to operate in reverse when the button is pressed.

CONFIGURATION

Parameter	Size	Description	Valid Value	Default Value
1	1 Byte	Synchronization of outlet power and LED indicator	0: Power on, LED off 1: Power on, LED on	Default=0

ASSOCIATION

Grouping ID	Max number of nodes	Description
1	1	Lifeline: Send device reset locally notification
2	5	StatusReport: Send basic report
3	5	PowerReport: Send meter power report

ZW15RM-Plus